



YDF VALVE (SHANGHAI) CO., LTD

Add: Room19-A2, V-capital, No. 333 Xianxia Road,  
Changning District, Shanghai, China, 200336  
Tel: +86-21-60837322  
Fax: +86-21-60837329  
E-mail: ydf@ydfchina.com

## Double Flanged Rubber Seated Butterfly Valves

*Your Partner of Flow Control System*



Gate, Globe, Check Valves



Floating Ball Valve  
Trunnion Mounted Ball Valve



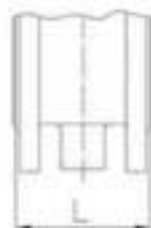
Butterfly Valve  
The Others Valve

Double Flange Butterfly Valves, CLASS 125/PN 16/JIS 10K

Fig. 2103



Valve standard	Comply with ISO5752/BS5155/BS EN 593
Working pressure	16bar
Testin pressure	Shell: 24bar
	Seat: 17.6bar
Suitable media	Water, Oil& Gas
Working temperature	-20°C to 110°C ( EPDM Seat )
	-10°C to 80°C (NBR Seat )



### Material Specification

Part	Material	EN Spec.
Body	Ductile iron	EN-JS 1050
Disc	Ductile iron	EN-JS 1050
	Bronze	EN 1982 CC491K
	Stainless steel 304	BS970 304 C 15
	Stainless steel 316	BS970 316 C 16
Shaft	Stainless steel 410	BS970 410 S 21
	Stainless steel 431	BS970 431 S 29
Seat ring	EPDM/NBR	
O-ring	EPDM/NBR	
Bushing	Bronze	EN 1982 CC491K

### Dimensions

unit:mm

DN	50	65	80	100	125	150	200	250	300	350	400	450	500	600	700	750
	2	2-1/2	3	4	5	6	8	10	12	14	16	18	20	24	32	30
A	80	80	95	114	114	139	175	203	242	250	310	332	358	423	479	508
B	110	134	131	150	170	180	210	245	276	328	376	407	433	508	560	610
C	30	30	30	30	30	30	34	34	34	40	52	52	64	70	95	95
L	108	112	114	127	140	140	152	165	178	190	216	222	229	267	292	304

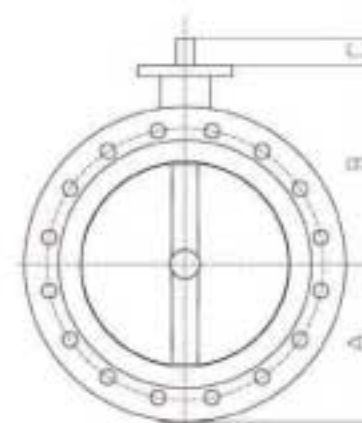
unit:mm

DN	800	900	1000	1200	1300	1400	1500	1600	1800	2000	2200	2400	2600	2800	3000
	32	36	40	48	52	56	60	64	72	80	88	96	104	112	120
A	533	602	656	781	915	925	950	1041	1156	1350	1430	1610	1795	1900	2040
B	620	692	735	917	990	1000	1050	1150	1200	1360	1500	1650	1780	1900	2070
C	95	130	130	150	150	200	200	200	200	200	300	300	300	300	350
L	318	330	410	470	530	530	570	600	600	760	800	850	900	950	1000

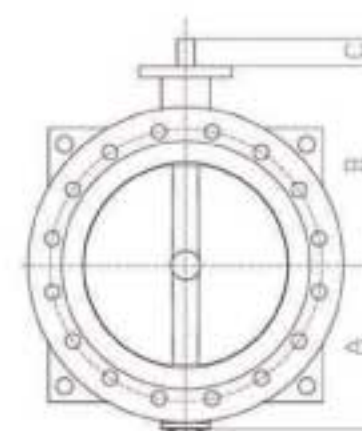
Double Flange Butterfly Valves, CLASS 125/PN 16/JIS 10K

Fig. 2103

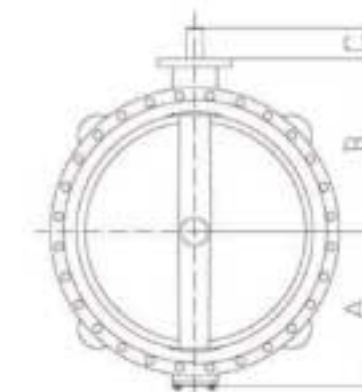
Appearance



Fit DN40-DN350 Double Flange Butterfly valves



Fit DN400-DN1200 Double Flange Butterfly valves



Fit DN1300-DN3000 Double Flange Butterfly valves